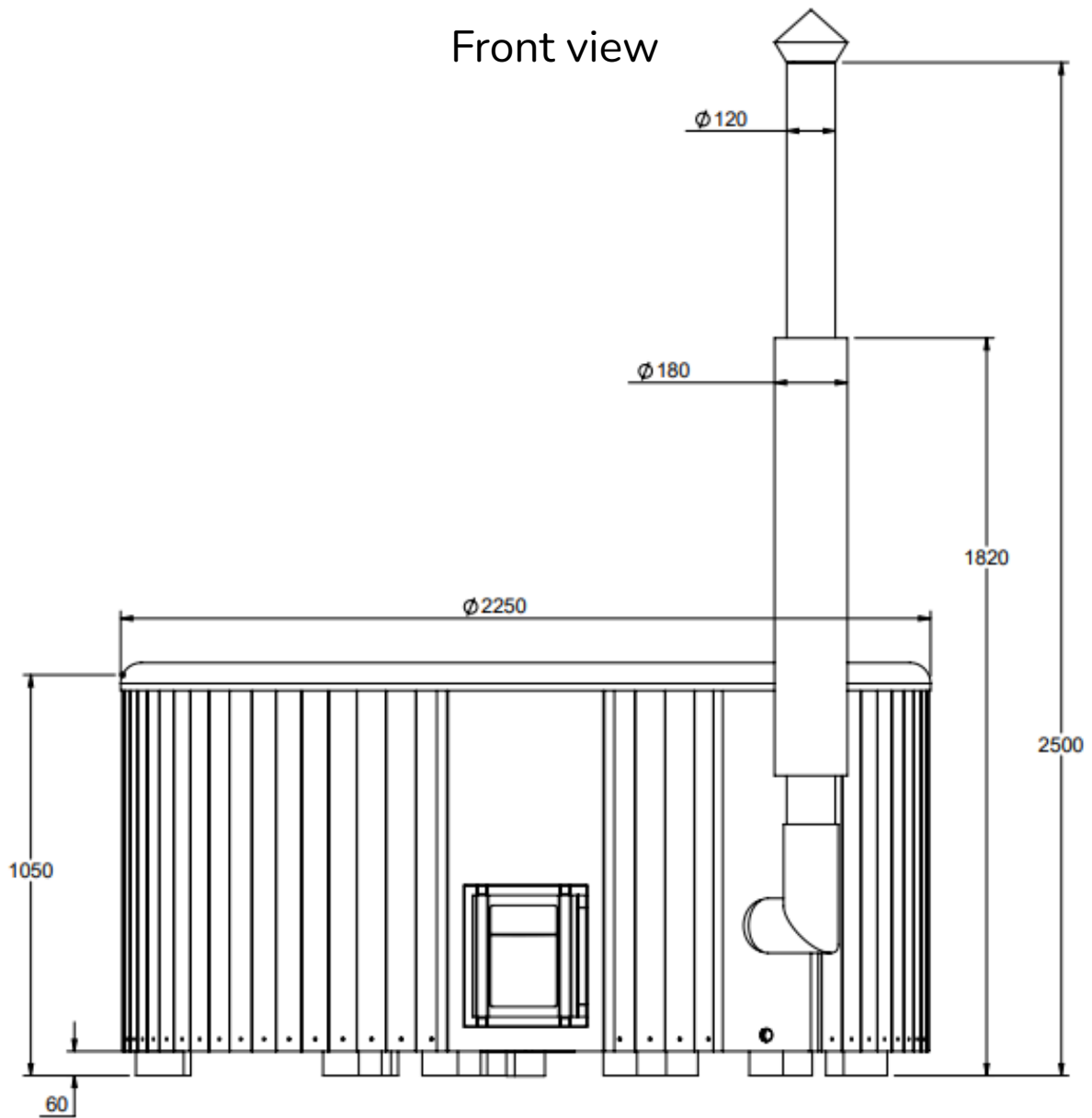
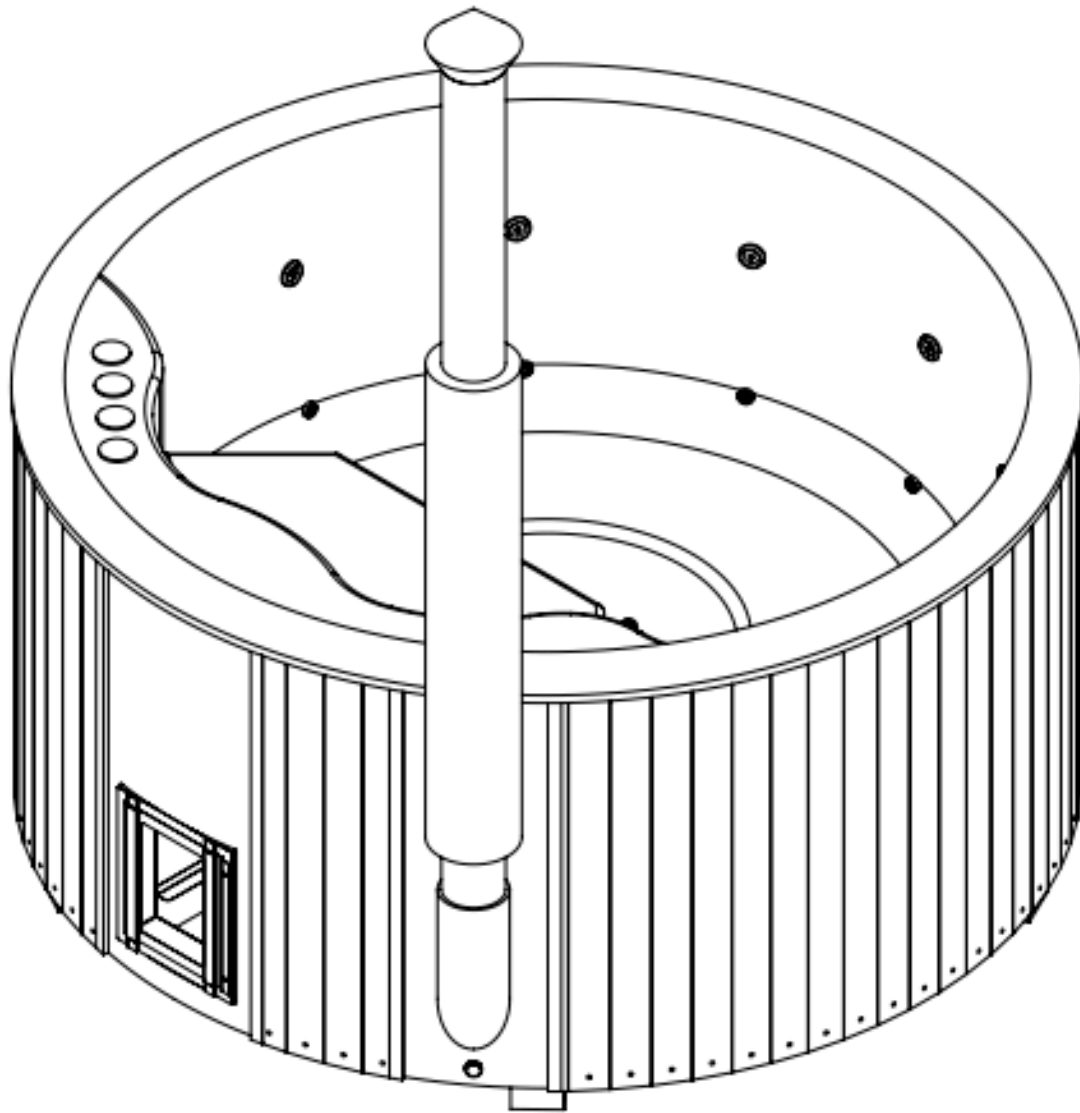


# Amber 225



# Amber 225

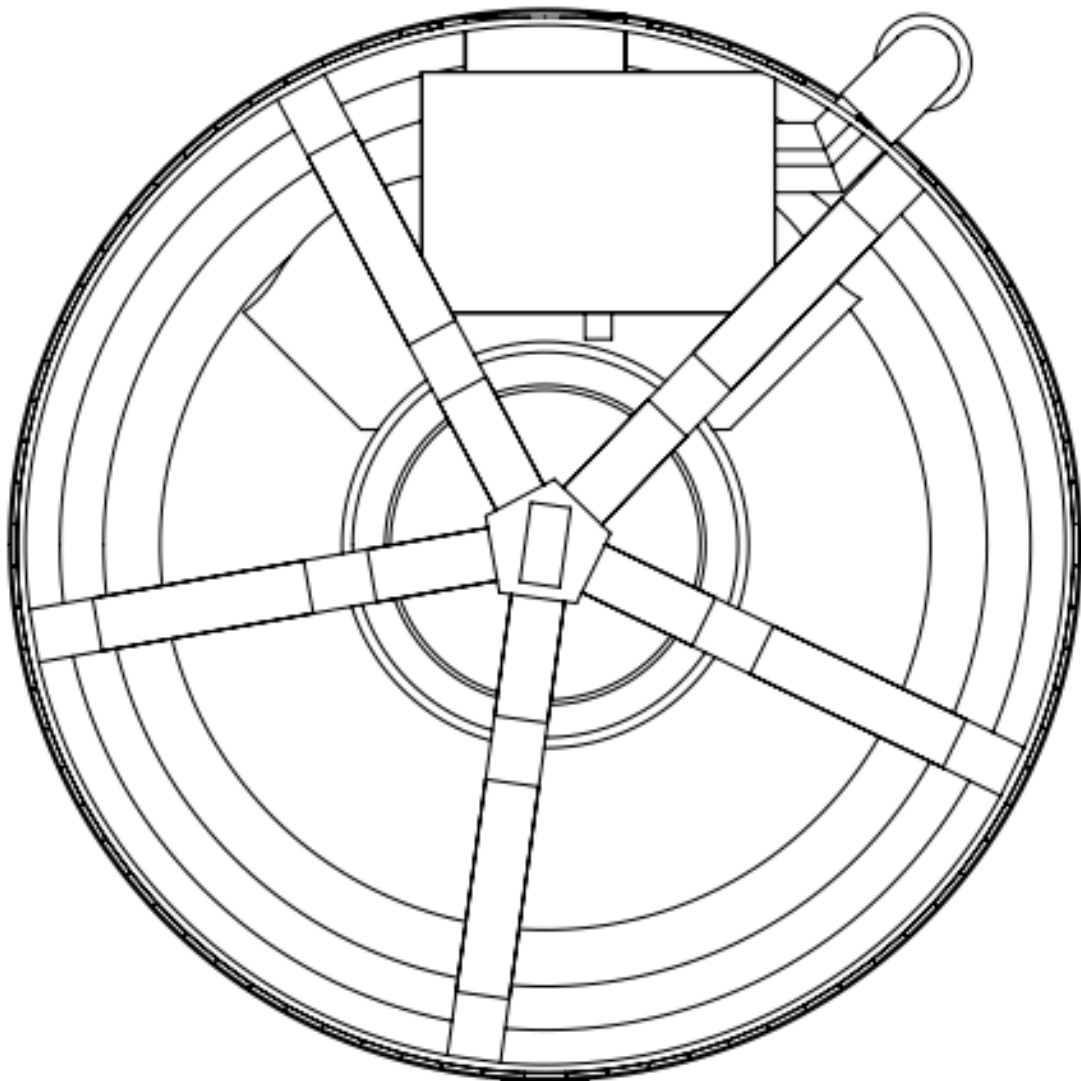


# Amber 225

Bottom view



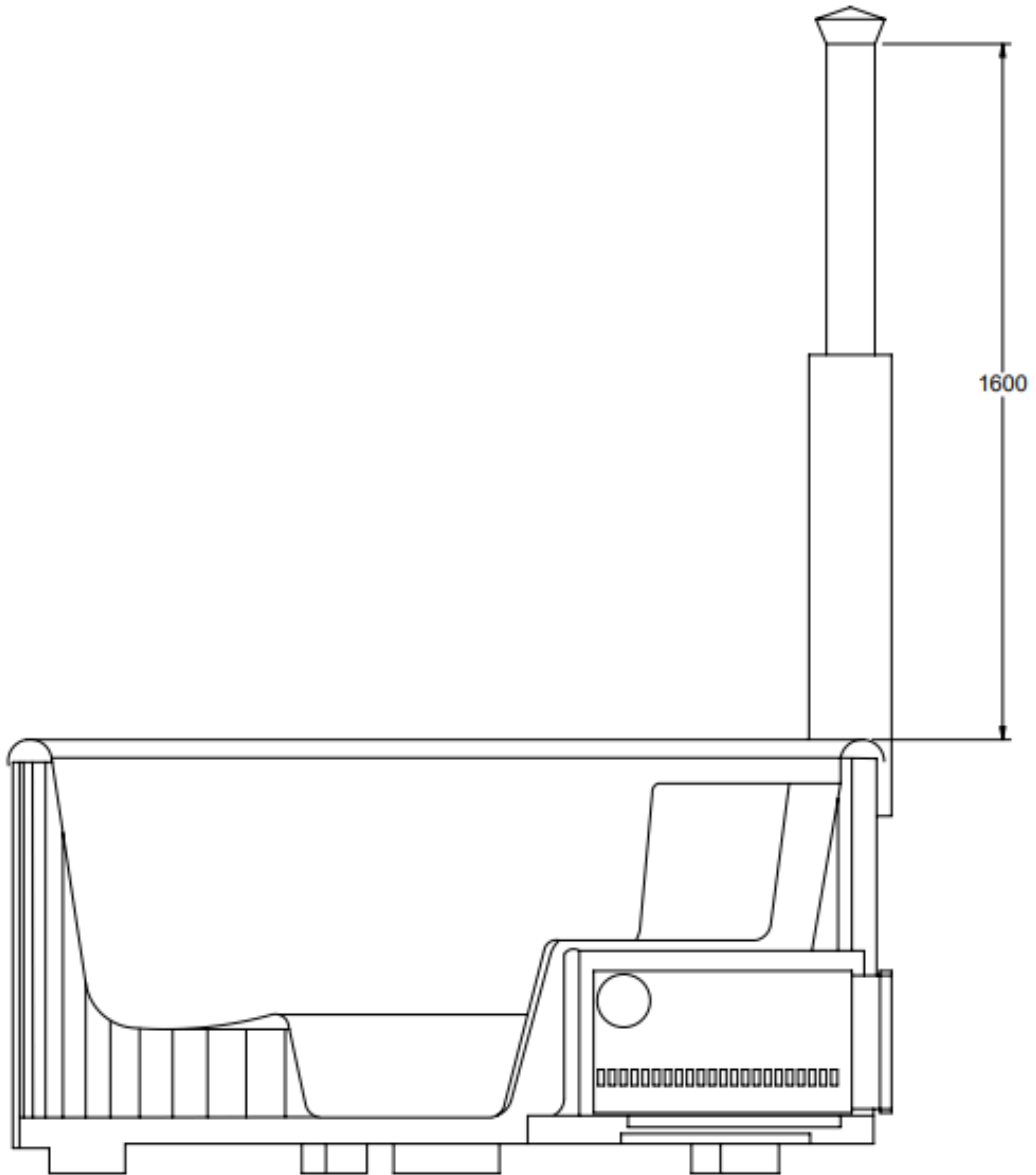
**BAUQUA**



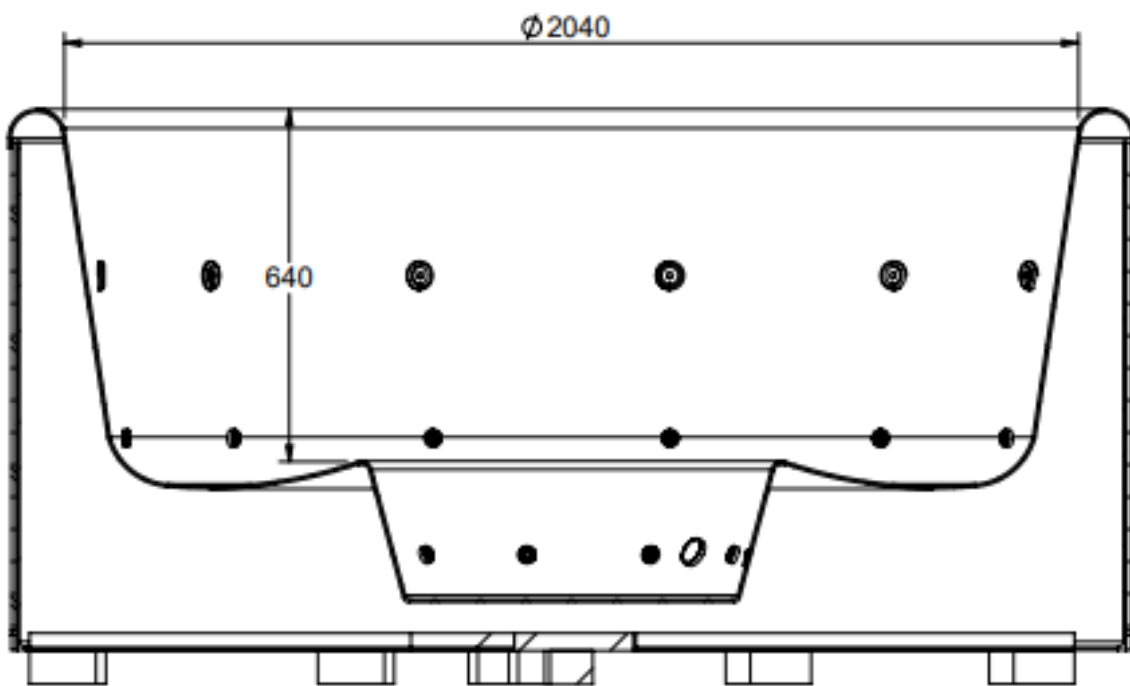
# Amber 225



Side cut in half view



# Amber 225



SECTION E-E

# Amber 225



**BAUQUA**

Top view

